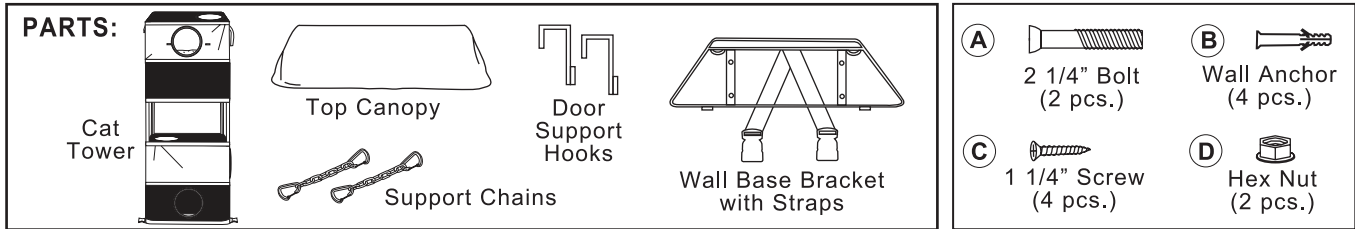


Cat Tower Hideout

Item #11041 Assembly Instruction

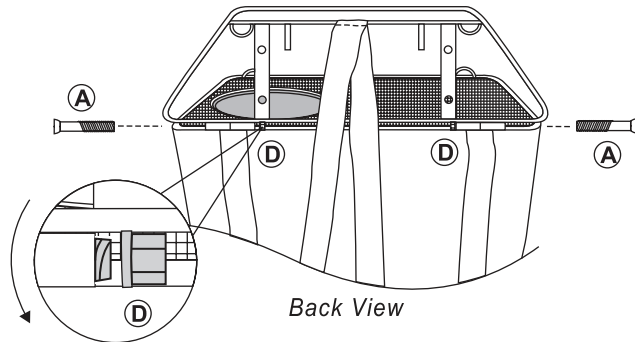
Easily Hangs on any Door
All Hardware Included to Install on a Wall

Tools Required: Phillips Head Screw Driver



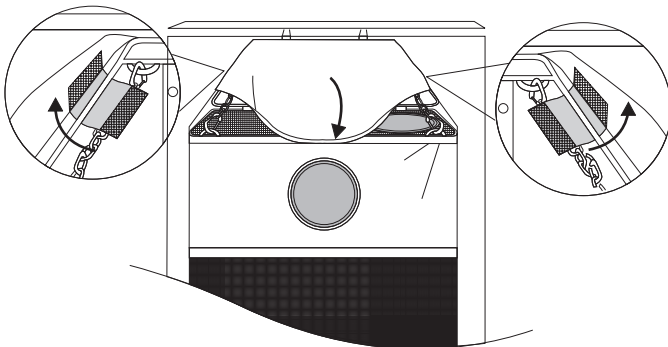
Step 1

Attach Cat Tower top to Wall Base Bracket by inserting Bolts through holes in back of Tower and bottom of Wall Base. Secure with Hex Nuts and tighten with screw driver.



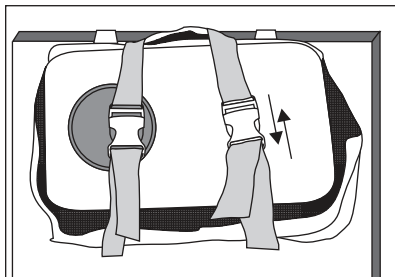
Step 3

Secure the Top Canopy with the hook-and-loop tabs around the Wall Bracket supports and also around the front edges of the top of the Cat Tower front and sides.



Step 4

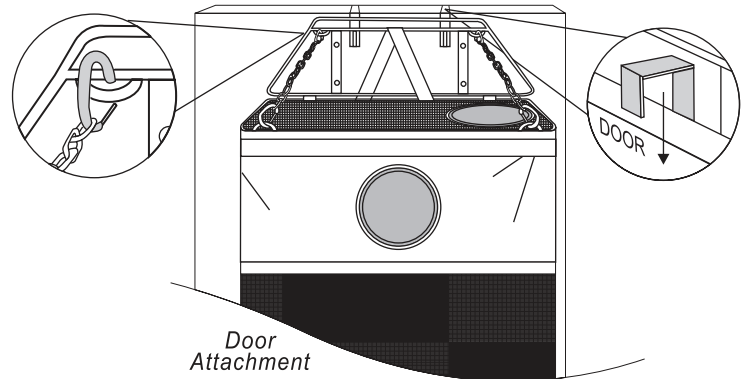
When not in use, your Cat Tower can be conveniently stored out of the way by folding it up and securing it with the attached nylon straps and latches



Step 2

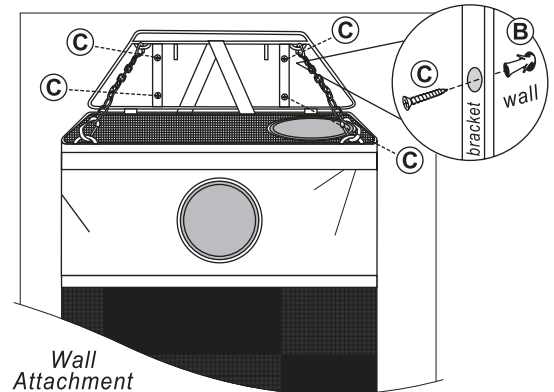
For Door Attachment:

Place Door Support Hooks over top of door. Insert pegs located on top bar of Wall Bracket through holes on Support Hooks. Secure front top of Cat Tower to top of Wall Bracket with Support Chains.



For Wall Attachment:

Drive Wall Anchor into wall and attach Wall Bracket with 1 1/4" Screws. Secure front top of Cat Tower to top of Wall Bracket with Support Chains.



WARE TIP:

For the safest, most secure mounting, locate the support studs in the wall and drive the screws directly through the wall and into the wood.

Item #11041



MADE IN CHINA
to the Design Specifications of
WARE MFG. INC.
Phoenix, AZ 85009 U.S.A.
www.waremginc.com

WARE
Manufacturing Inc.